

Building Connections That Last™



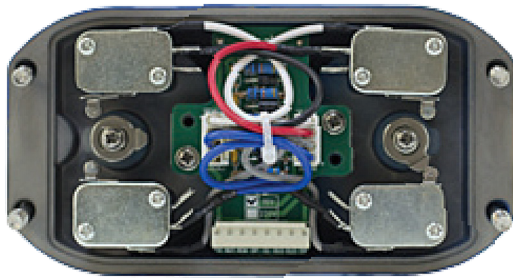
Series B Electric Actuator Local Control Unit

Accessory Sheet

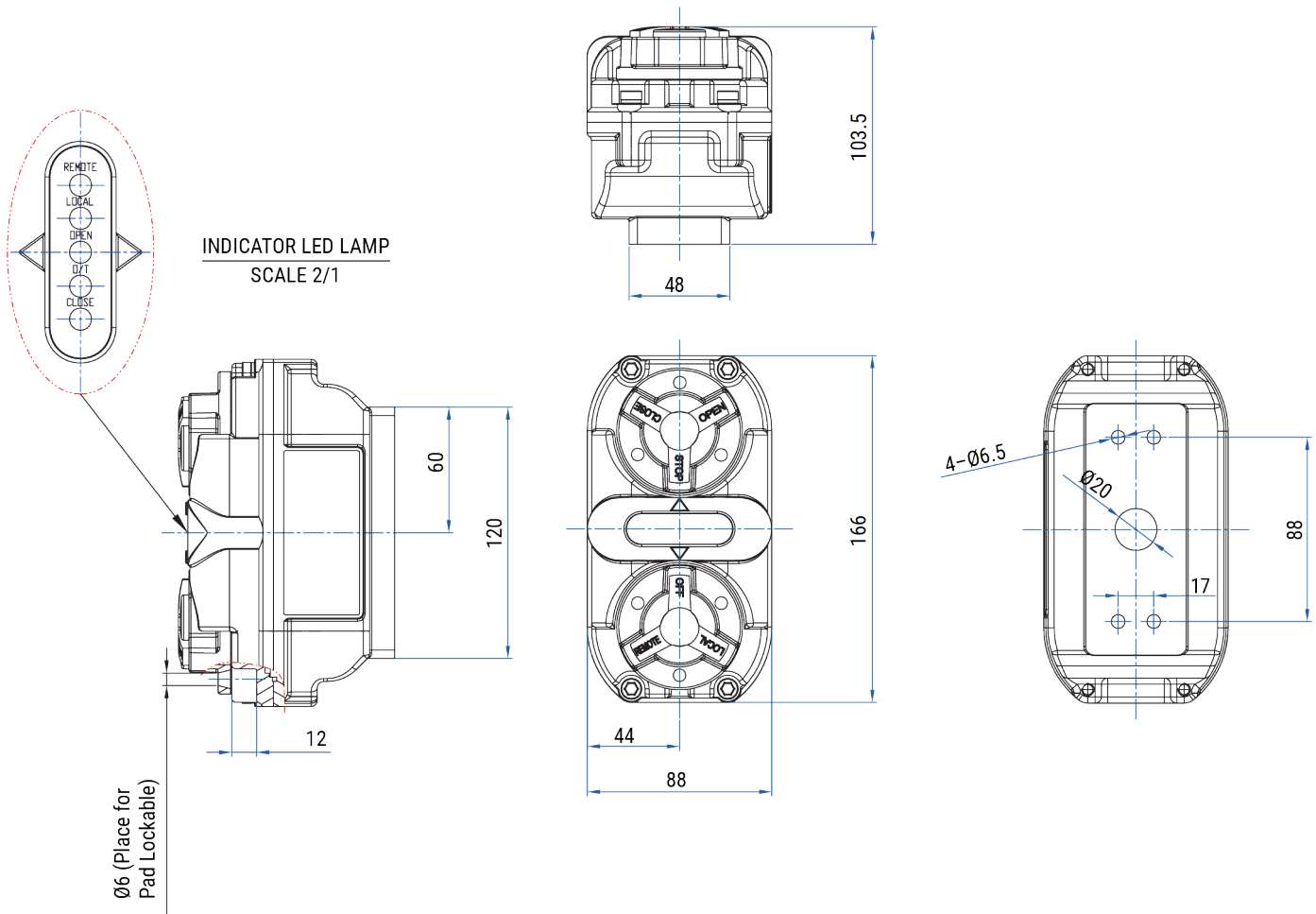


Description

- Enclosure: IP67
- Case Materials: Aluminum
- Remote, Off, Local Selector Switch
- Open, Stop, Close Selector Switch
- Remote, Local, Open, Over Torque, Close LED Lamp
- Pad Lockable



Dimensions



About ASC Engineered Solutions

ASC Engineered Solutions connects high-quality products with advanced technology, service, and support. With nearly 2,000 employees, the company's extensive portfolio of precision-engineered piping support, valves and connections provides products to professionals across industries, such as commercial and residential construction, industrial, fire protection, and oil and gas. Its portfolio of leading brands includes ABZ Valve®, AFCON®, Anvil®, Anvil EPS, Basic-PSA, Beck®, Catawissa, Cooplet®, FlexHead®, FPPI®, Gruvlok®, J.B. Smith, Merit®, NAP®, Quadrant®, SCI®, Sharpe®, SPF®, SprinkFLEX®, Trenton Pipe, VEP, and WARDFlex®. With headquarters in Oak Brook, IL, ASC also has ISO 9001:2015 certified production facilities in PA, TN, IL, TX, AL, KS, and RI.



asc-es.com

Building Connections That Last™

FC-AS-Series-B-LCU-v01 20260521

